

AC165 Series

3 Wire Negative Voltage Accelerometer, Top Exit Connector, 100 mV/g



VIBRATION ANALYSIS HARDWARE



Product Features

Comparable to Bently™ 330400

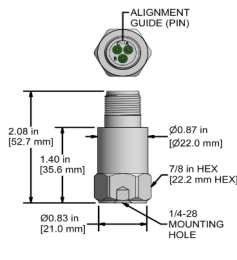
3 Wire Negative Voltage Sensor

- ▶ 100 mV/g Nominal Sensitivity
- ▶ ± 5% Sensitivity Tolerance
- ▶ ± 80 g, Peak Dynamic Range

AC165-1A

3 Pin Connector

Connector Pin	Polarity
A	(+) Signal
B	(-) Power-Negative
C	(+) Common/Power

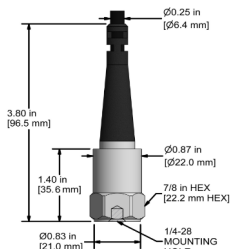


Stock Product

AC165-2C

CB105 Integral Cable

Conductor	Polarity
Red	(+) Signal
Black	(-) Power-Negative
White	(+) Common/Power
Shield	Cable Drain Wire

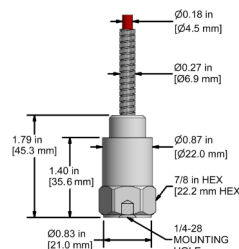


Built To Order

AC165-3C

CB218 Armored Integral Cable

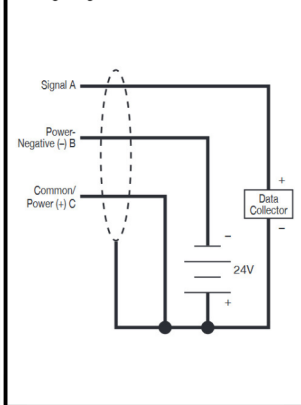
Conductor	Polarity
Red	(+) Signal
Black	(-) Power-Negative
White	(+) Common/Power
Shield	Cable Drain Wire



Built To Order

AC165

Wiring Diagram



Specifications	Standard	Metric	Specifications	Standard	Metric
Part Number	AC165	M/AC165	Environmental		
Sensitivity (±5%)		100 mV/g	Temperature Range	-58 to 250°F	-50 to 121°C
Frequency Response (±3dB)	300-900,000 CPM	5,0-15000 Hz	Maximum Shock Protection		5,000 g, peak
Frequency Response (±10%)	600-600,000 CPM	10,0-10000 Hz	Sealing		Welded, Hermetic
Dynamic Range		± 80 g, peak	Physical		
Electrical			Sensing Element		PZT Ceramic
Settling Time		<2 Seconds	Sensing Structure		Shear Mode
Voltage Source (IEPE)		-20 to -28 VDC	Weight	3.2 oz	90 grams
Constant Current Excitation		<1 mA	Case Material		316L Stainless Steel
Broadband Noise Floor (10 to 15k Hz)		.002 g RMS	Mounting		1/4-28
Output Impedance		<5 ohm	Connector (Non-Integral)		3 Pin MIL-C-5015
Bias Output Voltage		-8.5 VDC Nominal	Resonant Frequency	1,380,000 CPM	23000 Hz
Case Isolation		>10 ⁸ ohm	Mounting Torque	2 to 5 ft. lbs.	2,7 to 6,8 Nm
			Mounting Hardware	1/4-28 Stud	M6x1 Adapter Stud
			Calibration Certificate		CA10

Typical Frequency Response



Backed by our Unconditional Lifetime Warranty

www.ctconline.com | sales@ctconline.com | 585-924-5900