



More Precision

scanCONTROL // 2D/3D laser scanners (laser profile sensors)





- High resolution in x- and z-axis
- Profile frequency up to 10 kHz for monitoring of dynamic processes
- Innovative exposure control
- Available with patented Blue Laser Technology

Fast and precise 2D/3D profile measurements

The latest LLT30xx laser profile scanners provide calibrated 2D profile data with up to 5.5 million points per second. Enabling profile frequency of 10 kHz, the HIGHSPEED models are used for monitoring tasks in dynamic processes. The high-resolution sensor matrix with 2,048 points achieves a point distance of just 12 μm (LLT30xx-25).

Available with patented Blue Laser Technology

The scanCONTROL 30xx/BL laser profile scanners are equipped with a blue-violet laser diode. Particularly with semi-transparent measurement objects, the blue laser offers high signal stability.

The easy way of machine integration

The design of the LLT30xx series is compact and lightweight. The controller is integrated in the sensor itself, which simplifies mechanical integration. Numerous interfaces such as digital switch signals, Ethernet, PROFINET, EtherNet/IP or EtherCAT allow for measured data to be output directly.

Innovative exposure control to master difficult surfaces

On inhomogeneous or dark surfaces, the HDR (High Dynamic Range) data acquisition mode and the improved auto exposure optimizes the measurement results. In HDR mode, the rows of the sensor matrix are exposed differently but at the same time which avoids time offsets between the recordings. This is how moving objects can be detected reliably. The auto exposure feature enables to individually select the areas to be exposed.


Top performances with selectable operating modes

Choose from three predefined operating modes for your specific measurement task: "High-Resolution" for maximum precision, "High Dynamic Range" for optimal profile detection on difficult surfaces and "High Speed" for ultra-fast measurements.


Article designation

LLT	30	00	-25	/SI	
Options - see below					
Measuring range					
25 mm					
50 mm					
Class					
00=COMPACT					
10=SMART					
50=HIGHSPEED					
60=HIGHSPEED SMART					
Series					
LLT30xx					

Laser options*

	/SI	Hardware switch-off of the laser line
	/3R	Increased laser power (class 3R, $\leq 30 \text{ mW}$), e.g., for dark surfaces
	/BL	Blue laser line (405 nm) for (semi-) transparent, red-hot glowing and organic materials

Cable output options*

	/PT	Cable directly out of the sensor ("Pigtail"), Length 0.3 m
	/VT	Cable directly out of the sensor ("Variable Tail") with a length of 0.6 or 1.0 m
	/ST	1 cable directly out of the sensor ("Single Tail"), multi-function port is omitted, with a length of 0.6 or 1.0 m

*Options can be combined

Model		LLT30xx-25	LLT30xx-25/BL	LLT 30xx-50	LLT 30xx-50/BL
Z-axis	Start of measuring range	77.5 mm		105 mm	
	Standard measuring range	Mid of measuring range		125 mm	
		End of measuring range		145 mm	
		Height of measuring range		40 mm	
	Linearity ¹⁾	(2 sigma) ±0.08 % FSO		±0.06 % FSO	
Reference resolution ^{2) 3)}	1.5 μm		3 μm		
X-axis	Start of measuring range	22.9 mm		43 mm	
	Standard measuring range	Mid of measuring range		50 mm	
		End of measuring range		57 mm	
Resolution (x-axis)	2,048 points/profile				
Profile frequency	Standard	up to 300 Hz			
	HIGHSPEED	up to 10,000 Hz			
Interfaces	Ethernet GigE Vison	Output of measurement values Sensor control Profile data transmission			
	Digital inputs	Mode switching Encoder (counter) Trigger			
	RS422 (half-duplex) ⁴⁾	Output of measurement values Sensor control Trigger Synchronization			
Output of measurement values	Ethernet (UDP / Modbus TCP); RS422 (ASCII / Modbus RTU) analog ⁵⁾ ; switch signal ⁵⁾ PROFINET ⁶⁾ ; EtherCAT ⁶⁾ ; EtherNet/IP ⁶⁾				
Display (LED)	1 x Laser ON/OFF, 1 x Data, 1 x Error				
Light source	Semiconductor laser 658 nm (red)	Semiconductor laser 405 nm (blue)	Semiconductor laser 658 nm (red)	Semiconductor laser 405 nm (blue)	
Aperture angle of laser line	23°			28°	
Laser power	Standard	≤ 10 mW (laser class 2M)			
	optional	≤ 30 mW (laser class 3R)	-	≤ 30 mW (laser class 3R)	-
Laser switch-off	via software, hardware switch-off with /SI option				
Permissible ambient light (fluorescent light) ²⁾	10,000 lx				
Protection class (sensor)	IP67 (when connected)				
EMC requirements	according to DIN EN 61000-6-2: 2005, DIN EN61000-6-3: 2007, DIN EN61326-1:2013 and DIN EN50581:2012				
Vibration	2 g / 20 ... 500 Hz				
Shock	15 g / 6 ms				
Operating temperature	0 ... +45 °C				
Storage temperature	-20 ... +70 °C				
Dimensions	96 x 112 x 40 mm				
Sensor weight (without cable)	415 g				
Supply	11 ... 30 VDC, nominal value 24 V, 500 mA, IEEE 802.3af class 2, Power over Ethernet				

FSO = Full Scale Output

¹⁾ Measuring range (standard)

²⁾ Measurement object: Micro-Epsilon standard object

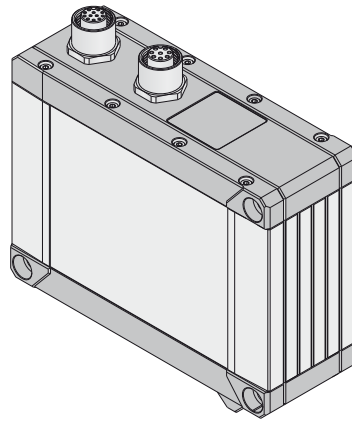
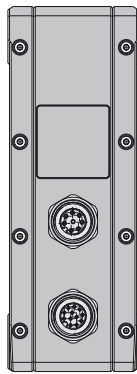
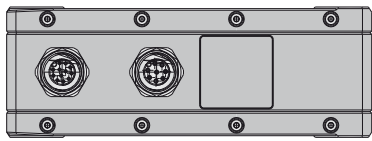
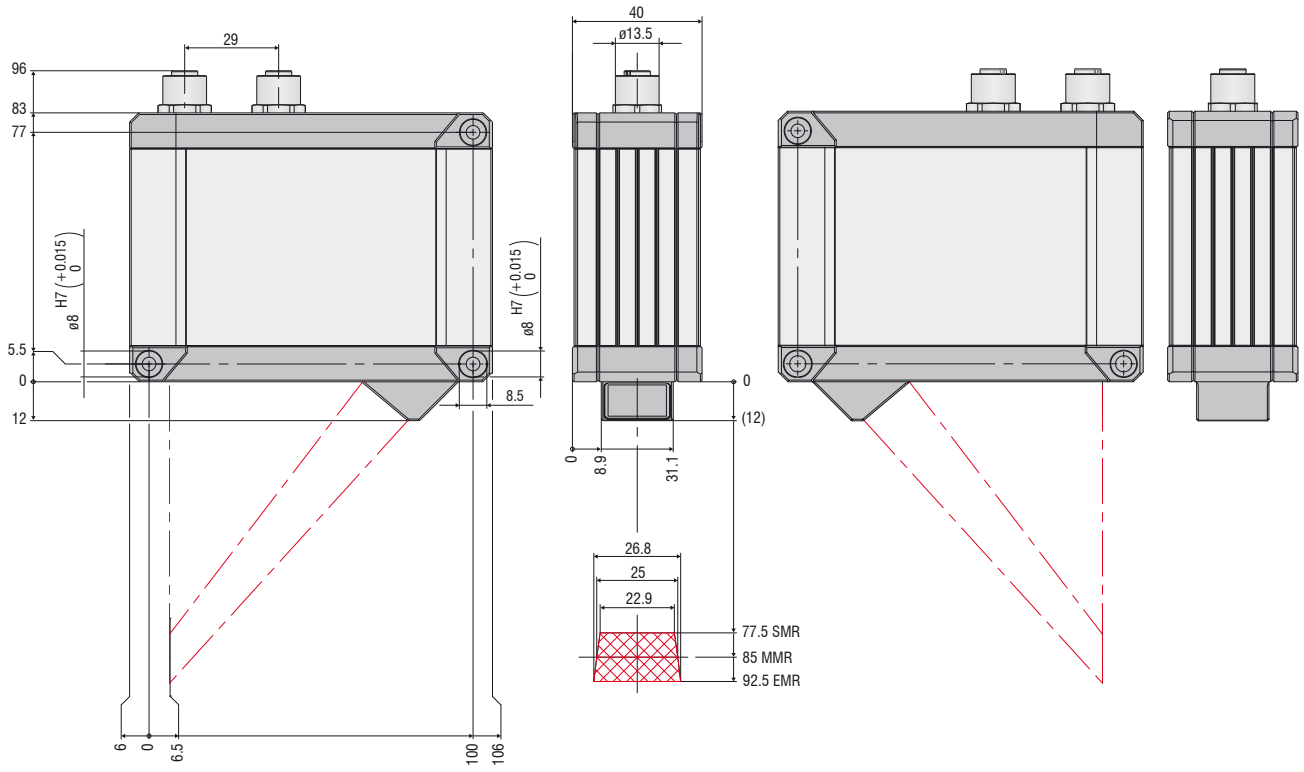
³⁾ According to a one-time averaging across the measuring field (2,048 points)

⁴⁾ RS422 interface, programmable either as serial interface or as input for triggering/synchronization

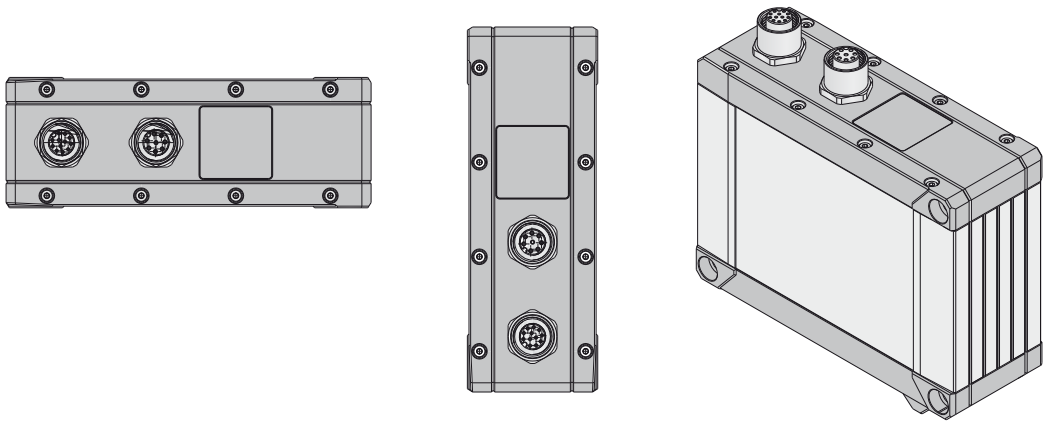
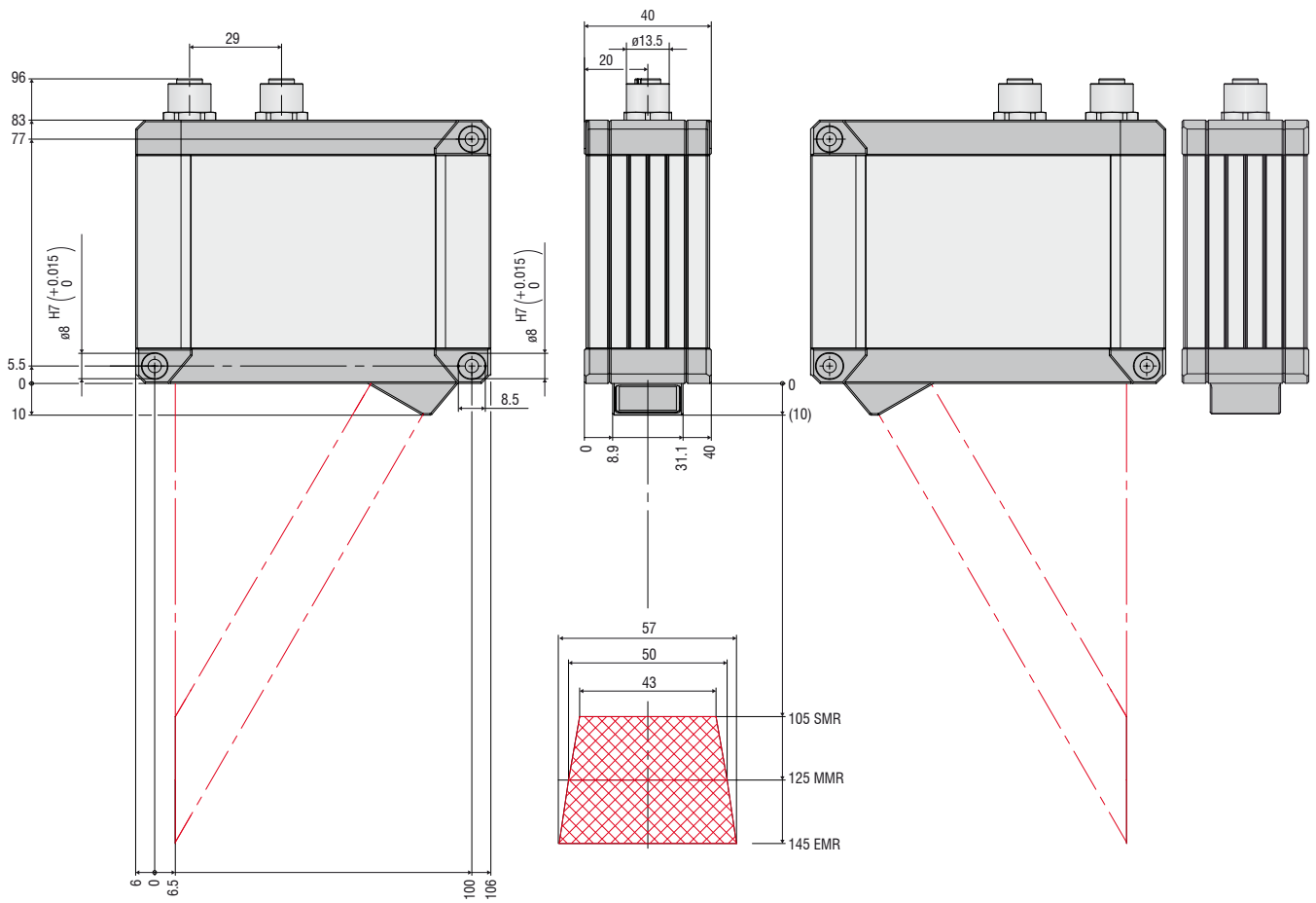
⁵⁾ Only with Output Unit

⁶⁾ Only with scanCONTROL Gateway

LLT30xx-25
LLT30xx-25/BL



LLT 30xx-50
LLT 30xx-50/BL



Sensors and Systems from Micro-Epsilon



Sensors and systems for displacement, distance and position



Sensors and measurement devices for non-contact temperature measurement



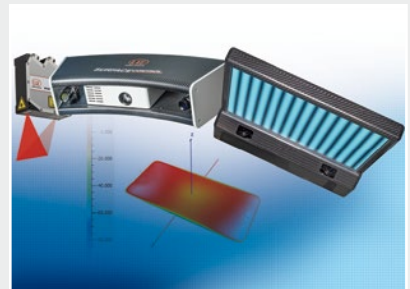
Measuring and inspection systems for metal strips, plastics and rubber



Optical micrometers and fiber optics, measuring and test amplifiers



Color recognition sensors, LED analyzers and inline color spectrometers



3D measurement technology for dimensional testing and surface inspection