



RSF Elektronik

www.rsf.at

MCR 15 | MCS 15
ABSOLUTE MODULAR
ANGLE ENCODERS





- Absolute position valuation
- Large mounting tolerances
- Serial interfaces
- Status display directly at the scanning head via LED function

ABSOLUTE MEASUREMENT PRINCIPLE

This means the position valuation from evaluating one unique code information at any point over the entire measuring range. For this the scanning head needs not to be moved relative to the graduation carrier, so that the position value is available immediately after power-on. Reference points and reference drives are thus not required. The subsequent electronics may access this position value at any time.

REQUIREMENTS ON AN ABSOLUTE MODULAR ANGLE ENCODER

- AVOIDING REFERENCING
- ADVANCED OPERATIONAL PERFORMANCE
- HIGH PERMISSIBLE ROTATIONAL SPEED (MCR 15)
- SMALL DIMENSIONS
- NO MECHANICAL BACKLASH
- ZERO FRICTIONAL FORCE
- WEAR-FREE OPERATION

MCR 15 AND MCS 15 MEET ALL THESE REQUIREMENTS!

TERM EXPLANATIONS

Absolute position indexing

Serial encoding of a line sequence as a highly precise graduation.

Scanning head

Opto-electronic scanning device of a graduation.

Measuring step

The smallest digital counting step produced by an encoder.

Accuracy

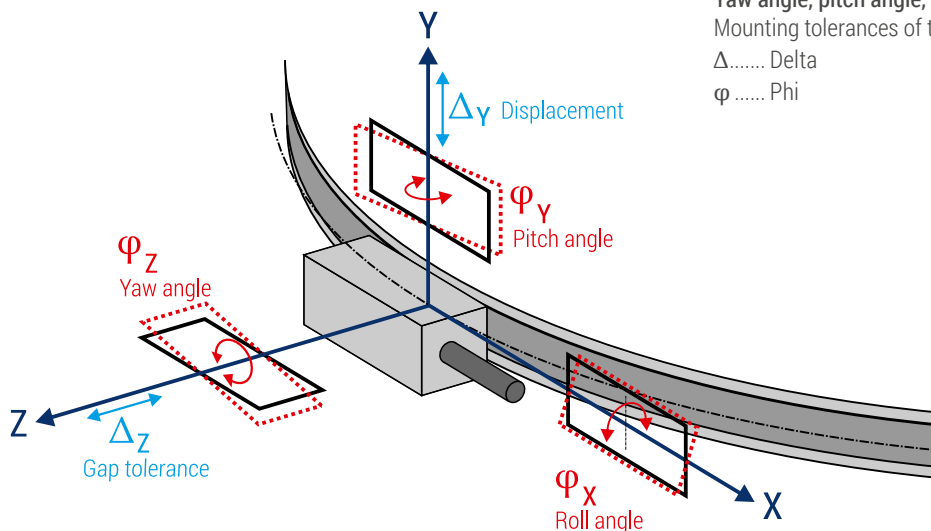
This is a fundamental characteristic, which is specified with an accuracy grade.

Yaw angle, pitch angle, roll angle, displacement, gap tolerance

Mounting tolerances of the encoder head relative to the scale.

Δ Delta

φ Phi

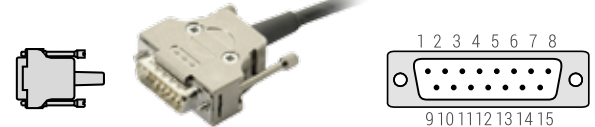


PIN ASSIGNMENTS

8-pin M12-connector according to IEC 61076-2-101 LM008-Gxx-A



15-pin D-sub



EnDat 2.2	Voltage supply				Absolute position values			
	8	2	5	1	3	4	7	6
	4	12	2	10	5	13	8	15
EnDat 2.2	Up	Sensor Up	0 V	Sensor 0 V	DATA	DATA	CLOCK	CLOCK
	Brown/Green	Blue	White/Green	White	Grey	Pink	Violet	Yellow

BiSS C

	4	12	2	10	5	13	8	15
	4	12	2	10	5	13	8	15
BiSS/Cu	Up	Sensor Up	0 V	Sensor 0 V	SLO+	SLO-	MA+	MA-
	Brown/Green	Blue	White/Green	White	Grey	Pink	Violet	Yellow

Fanuc

	8	2	5	1	3	4	7	6
	4	12	2	10	5	13	8	15
Fanuc05 ai Interface	Up	Sensor Up	0 V	Sensor 0 V	Serial Data	Serial Data	Request Frame	Request Frame
	Brown/Green	Blue	White/Green	White	Grey	Pink	Violet	Yellow

Mitsubishi

	8	2	5	1	3	4	7	6
	4	12	2	10	5	13	8	15
Mit03-4	Up	Sensor Up	0 V	Sensor 0 V	Serial Data	Serial Data	Request Frame	Request Frame
Mit03-2					Occupied *	Occupied *	Request/ Data	Request/ Data
	Brown/Green	Blue	White/Green	White	Grey	Pink	Violet	Yellow

Panasonic

	8	2	5	1	3	4	7	6
	4	12	2	10	5	13	8	15
Pana02	Up	Sensor Up	0 V	Sensor 0 V	Occupied *	Occupied *	Request/ Data	Request/ Data
	Brown/Green	Blue	White/Green	White	Grey	Pink	Violet	Yellow

Yaskawa

	8	2	5	1	3	4	7	6
	4	12	2	10	5	13	8	15
YEC07	Up	Sensor Up	0 V	Sensor 0 V	Occupied *	Occupied *	Serial Data	Serial Data
	Brown/Green	Blue	White/Green	White	Grey	Pink	Violet	Yellow

- Up = Power supply voltage
- Sensor: The sensor line is connected in the scanning head with the corresponding power line.
- The shield is connected with the chassis.
- Not connected pins or wires must not be used.
- * Required for adjustment/inspection by PWT 101.

SERIAL INTERFACES

EnDat 2.2

The EnDat interface is a digital, **bidirectional** interface for encoders. It is capable both of transmitting **position values** as well as transmitting or updating information stored in the encoder, or of saving new information. Thanks to the **serial transmission method**, only **four signal lines** are required. The data is transmitted in **synchronism** with the clock signal from the subsequent electronics. The type of transmission (position values, parameters, diagnostics, etc.) is selected through mode commands that the subsequent electronics send to the encoder.

CLOCK FREQUENCY

The clock frequency is variable—depending on the cable length (max. 150 m)—between 100 kHz and 2 MHz. With propagation-delay compensation in the subsequent electronics, either clock frequencies up to 16 MHz are possible or cable lengths up to 100 m. The maximum clock frequency is stored in the encoder memory.

EnDat 2.2	≤ 8 MHz or 16 MHz
-----------	-------------------

Transmission frequencies up to 16 MHz in combination with large cable lengths place high technological demands on the cable. Due to the data transfer technology, the cable connected directly to the encoder must not be longer than 20 m. Greater cable lengths can be realized with a cable no longer than 6 m and an extension cable. As a rule, the entire transmission path must be designed for the respective clock frequency.

POSITION VALUES

The position value can be transmitted with or without additional data. At the earliest, the position value is transmitted to the subsequent electronics after the calculation time t_{cal} has elapsed. The calculation time is ascertained at the highest clock frequency permissible for the encoder, but limited at 8 MHz.

Only the required number of bits is transferred for the position value. The bit number can be read out from the encoder for automatic parameterization.

MEMORY AREAS

The encoder provides several memory areas for parameters. These can be read from by the subsequent electronics, and some can be written to by the encoder manufacturer, the OEM, or even the end user. The parameter data are stored in a permanent memory. This memory permits only a limited number of write access events and is not designed for cyclic data storage. Certain memory areas can be write-protected (this can only be reset by the encoder manufacturer).

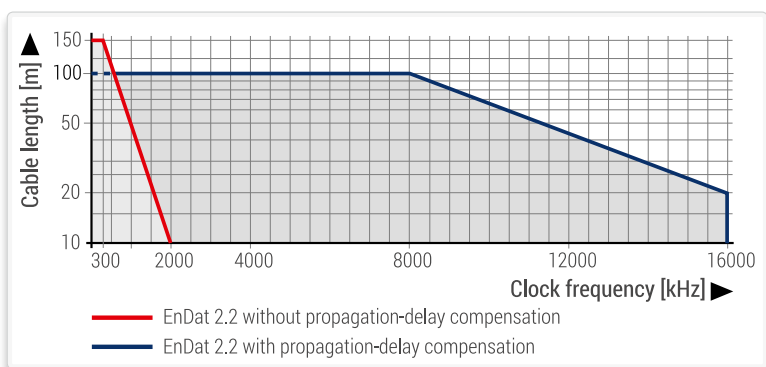
Parameters are saved in various memory areas, e.g.:

- Encoder-specific information
- Information of the OEM (e. g. „electronic ID-label“ of the motor)
- Operating parameters (datum shift, instruction, etc.)
- Operating status (alarm or warning messages)

Monitoring and diagnostic functions of the EnDat interface enable a detailed inspection of the encoder.

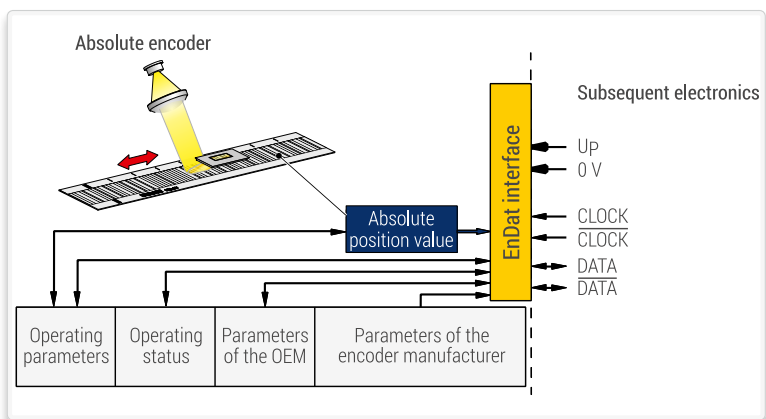
- Error messages
- Warnings
- Online diagnostics based on valuation numbers

Interface	EnDat 2.2 serial bidirectional
Data transfer	Position values, parameters and additional data
Data input	Differential line receiver according to EIA standard RS 485 for the signals CLOCK, CLOCK, DATA and DATA
Data output	Differential line driver according to EIA standard RS 485 for DATA and DATA signals
Position values	Ascending during traverse in direction of cable outlet
Power supply	3.6 V to 14 V



ADDITIONAL DATA

One or two items of additional data can be appended to the position value, depending on the type of transmission (selection via MRS code). The additional data supported by the respective encoder is saved in the encoder parameters.



INPUT CIRCUITRY OF SUBSEQUENT ELECTRONICS

Dimensioning

IC1 = RS 485 differential line receiver
 $Z_0 = 120 \Omega$

*EnDat2.2 is a bidirectional interface of HEIDENHAIN.
 Detailed information you will find on: www.endat.de*

CUSTOMER-SPECIFIC SERIAL INTERFACES

BiSS C

RSF Elektronik encoders with the **Code B** after the model designation are suited for connection to BiSS C controls with **BiSS C unidirectional interface**

- Ordering designation: BiSS/Cu

Fanuc

RSF Elektronik encoders with the **Code F** after the model designation are suited for connection to Fanuc controls with **Fanuc Serial Interface**

- Ordering designation: Fanuc05 ai Interface

Mitsubishi

RSF Elektronik encoders with the **Code M** after the model designation are suited for connection to Mitsubishi controls with **Mitsubishi high speed interface**

- Ordering designation: Mit03-2
One-pair transmission
- Ordering designation: Mit03-4
Two-pair transmission

Panasonic

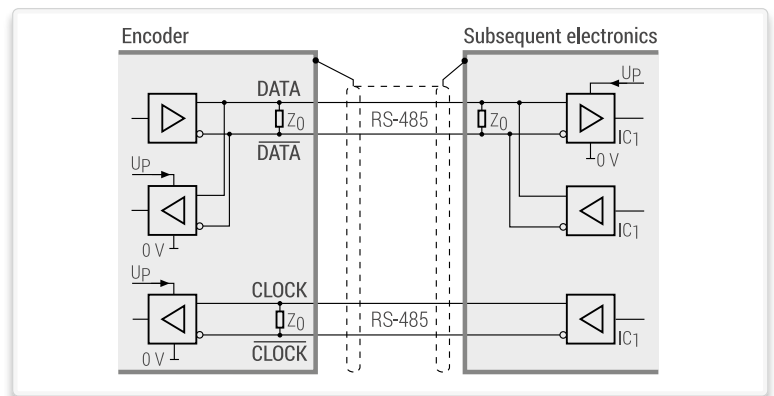
RSF Elektronik encoders with the **Code P** after the model designation are suited for connection to Panasonic controls with **Panasonic Serial Interface**

- Ordering designation: Pana02

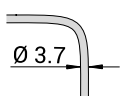
Yaskawa

RSF Elektronik encoders with the **Code Y** after the model designation are suited for connection to Yaskawa controls with **Yaskawa Serial Interface**

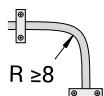
- Ordering designation: YEC07



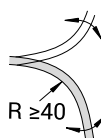
SHIELDING



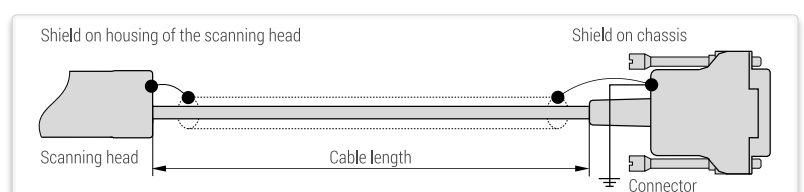
Shielded PUR-cable.
 Drag chain qualified.



Bending radius
 fixed mounting



Bending radius
 continuous flexing



MCR 15 TECHNICAL DATA

SCANNING HEAD

Interface	EnDat 2.2	Fanuc serial interface ai Interface	Mitsubishi high speed interface		Panasonic serial interface	Yaskawa serial interface	BiSS C unidirectional
Version	EnDat 2.2	Fanuc05	Mit03-2	Mit03-4	Pana02	YEC07	BiSS/Cu
Model	AK MCR 15	AK MCR 15 F	AK MCR 15 M		AK MCR 15 P	AK MCR 15 Y	AK MCR 15 B
Calculation time t_{cal}	$\leq 5 \mu s$	--	--		--	--	--
Clock frequency	$\leq 16 \text{ MHz}$	--	--		--	--	--
Electrical connection	Cable, 1 m or 3 m with M12-connector 8-pin or D-sub connector 15-pin						
Extension cable length*	$\leq 100 \text{ m}$	$\leq 50 \text{ m}$	$\leq 30 \text{ m}$		$\leq 50 \text{ m}$	$\leq 50 \text{ m}$	$\leq 50 \text{ m}$
Voltage supply	DC 3.6 V to 14 V (3.6 V at least required in the scanning head)						
Power consumption max.	At 3.6 V: $\leq 950 \text{ mW}$ At 14 V: $\leq 1050 \text{ mW}$						
Current consumption typ.	At 5 V: 100 mA (without load)						
Vibration 55 Hz to 2000 Hz Shock 6 ms	$\leq 500 \text{ m/s}^2$ (EN 60 068-2-6) $\leq 1000 \text{ m/s}^2$ (EN 60 068-2-27)						
Temperature	Operating temperature: $-10 \text{ }^\circ\text{C}$ to $70 \text{ }^\circ\text{C}$, storage temperature: $-20 \text{ }^\circ\text{C}$ to $70 \text{ }^\circ\text{C}$						
Mass	Scanning head: $\leq 18 \text{ g}$ (without cable), connecting cable: 20 g/m, connector: M12-connector: 15 g; D-sub connector: 28 g						
Protection EN 60529	Scanning head AK: IP40 (complete encoder in mounted condition: IP00)						
RoHS-conformity	MCR 15 encoders comply with the guideline of the RoHS-directive 2011/65/EU and also with the delegated directive 2015/863/EU on the restriction of the use of certain hazardous substances in electrical and electronic equipment.						

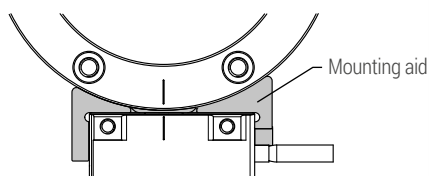
* Only with RSF extension cable.

GRADUATION CARRIER

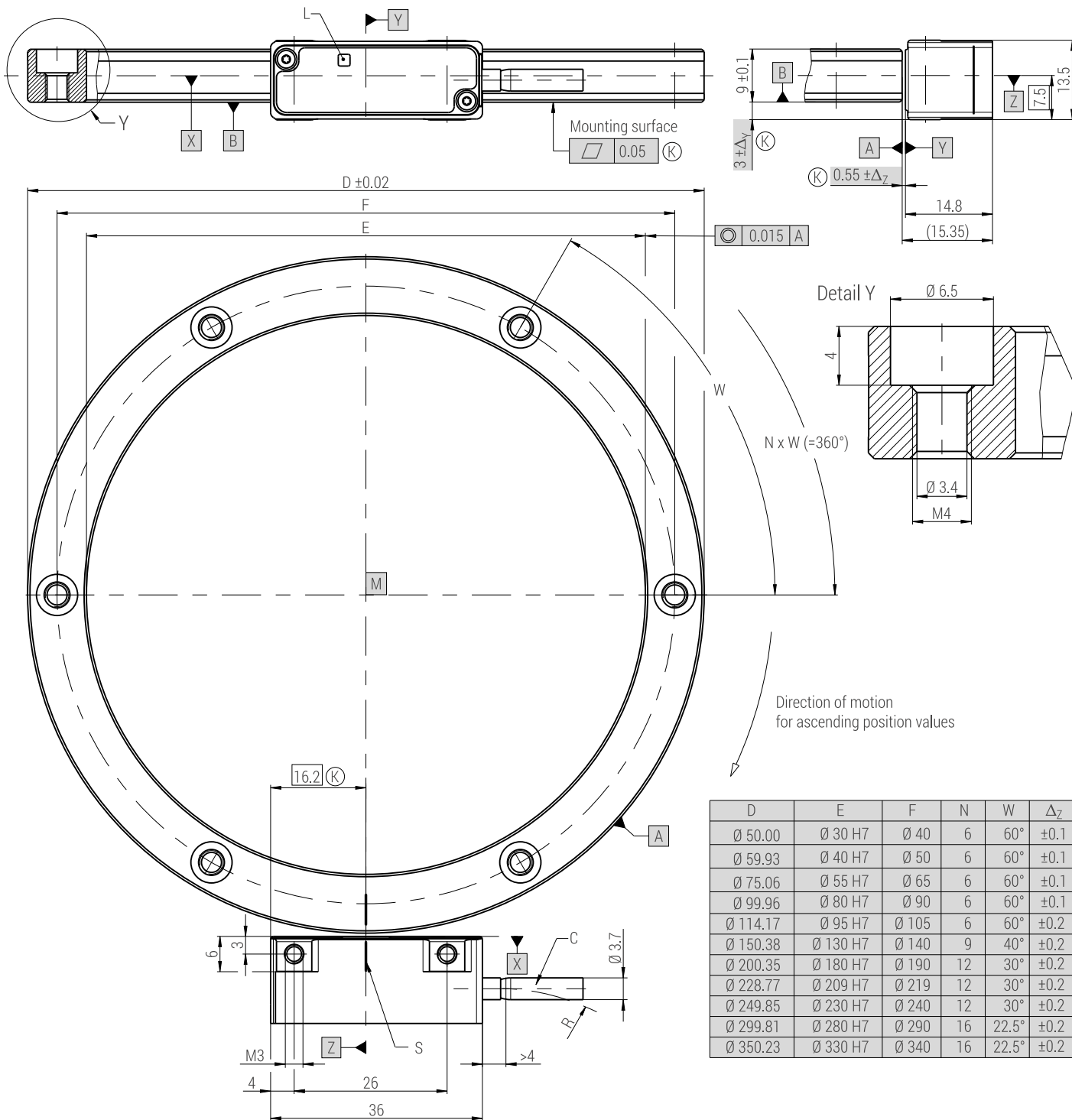
Model	TTR MCR 15 S: Steel drum with absolute track for mounting with three-point centering TTR MCR 15 A: Aluminum drum with absolute track for mounting with three-point centering											
Coefficient of expansion	Steel: $\alpha \approx 16 \times 10^{-6} \text{ K}^{-1}$ Aluminum: $\alpha \approx 23.4 \times 10^{-6} \text{ K}^{-1}$											
Scanning diameter [mm]	50.00	59.93	75.06	99.96	114.17	150.38	200.35	228.77	249.85	299.81	350.23	
Inside diameter [mm]	30	40	55	80	95	130	180	209	230	280	330	
Permissible speed [rpm]	$\leq 14\,000$	$\leq 12\,200$	$\leq 9\,750$	$\leq 7\,300$	$\leq 6\,400$	$\leq 4\,300$	$\leq 2\,650$	$\leq 2\,300$	$\leq 2\,100$	$\leq 1\,000$	≤ 850	
Permissible axial movement	$\leq \pm 1 \text{ mm}$ (drum relative to the scanning head)											
Positions per revolution [bit]	22	22	23	23	23	24	24	24	24	25	25	
Measuring step	0.309"	0.309"	0.154"	0.154"	0.154"	0.077"	0.077"	0.077"	0.077"	0.038"	0.038"	
System accuracy	$\pm 25''$	$\pm 20''$	$\pm 15''$	$\pm 10''$	$\pm 10''$	$\pm 10''$	$\pm 10''$	$\pm 10''$	$\pm 10''$	$\pm 10''$	$\pm 10''$	
Moment of inertia [10^{-3} kgm^2]	Steel Aluminum	≈ 0.03 ≈ 0.01	0.07 0.02	0.15 0.05	0.39 .013	0.58 0.20	1.49 0.51	3.70 1.27	5.24 1.79	7.30 2.49	12.80 4.37	21.25 7.26
Mass [kg]	Steel Aluminum	≈ 0.08 ≈ 0.03	≈ 0.10 ≈ 0.03	≈ 0.13 ≈ 0.05	≈ 0.19 ≈ 0.06	≈ 0.21 ≈ 0.07	≈ 0.30 ≈ 0.10	≈ 0.41 ≈ 0.14	≈ 0.44 ≈ 0.15	≈ 0.51 ≈ 0.17	≈ 0.61 ≈ 0.21	≈ 0.73 ≈ 0.25

OPTIONAL ACCESSORIES

Mounting aid:



MCR 15 DIMENSIONS, MOUNTING TOLERANCES



D	E	F	N	W	Δ_z
$\varnothing 50.00$	$\varnothing 30 H7$	$\varnothing 40$	6	60°	± 0.1
$\varnothing 59.93$	$\varnothing 40 H7$	$\varnothing 50$	6	60°	± 0.1
$\varnothing 75.06$	$\varnothing 55 H7$	$\varnothing 65$	6	60°	± 0.1
$\varnothing 99.96$	$\varnothing 80 H7$	$\varnothing 90$	6	60°	± 0.1
$\varnothing 114.17$	$\varnothing 95 H7$	$\varnothing 105$	6	60°	± 0.2
$\varnothing 150.38$	$\varnothing 130 H7$	$\varnothing 140$	9	40°	± 0.2
$\varnothing 200.35$	$\varnothing 180 H7$	$\varnothing 190$	12	30°	± 0.2
$\varnothing 228.77$	$\varnothing 209 H7$	$\varnothing 219$	12	30°	± 0.2
$\varnothing 249.85$	$\varnothing 230 H7$	$\varnothing 240$	12	30°	± 0.2
$\varnothing 299.81$	$\varnothing 280 H7$	$\varnothing 290$	16	22.5°	± 0.2
$\varnothing 350.23$	$\varnothing 330 H7$	$\varnothing 340$	16	22.5°	± 0.2

mm

 Tolerancing ISO 8015
 ISO 2768 - m H
 < 6 mm: ± 0.2 mm

M = Rotary axis
 S = Optical centerline and mark for 0° position
 (K) = Required mating dimensions
 C = Cable
 L = LED function display
 R = Bending radius: stat. $R \geq 8$ mm, dyn. $R \geq 40$ mm

Permissible position deviation of the scanning head relative to the drum
 Reference plane A | B
 Δ_y = Displacement, ± 1
 Δ_z = Gap tolerance, see table above
 φ_z = ± 20 mrad or $\pm 1.15^\circ$ (yaw angle)
 φ_y = ± 5 mrad or $\pm 0.29^\circ$ (pitch angle)
 φ_x = ± 7 mrad or $\pm 0.40^\circ$ (roll angle)

MCS 15 TECHNICAL DATA

SCANNING HEAD

Interface	EnDat 2.2	Fanuc serial interface ai Interface	Mitsubishi high speed interface		Panasonic serial interface	Yaskawa serial interface	BiSS C unidirectional
Version	EnDat 2.2	Fanuc05	Mit03-2	Mit03-4	Pana02	YEC07	BiSS/Cu
Model	AK MCS 15	AK MCS 15 F	AK MCS 15 M		AK MCS 15 P	AK MCS 15 Y	AK MCS 15 B
Measuring step (based on neutral axis)	0.1 µm (100 nm) 0.05 µm (50 nm)						
Calculation time t_{cal} Clock frequency	≤ 5 µs ≤ 16 MHz	--	--	--	--	--	--
Traversing speed	≤ 600 m/min						
Interpolation error	Approx. ±1 µm						
Electrical connection	Cable, 1 m or 3 m with M12-connector 8-pin or D-sub connector 15-pin						
Extension cable length *	≤ 100 m	≤ 50 m	≤ 30 m		≤ 50 m	≤ 50 m	≤ 50 m
Voltage supply	DC 3.6 V to 14 V (3.6 V at least required in the scanning head)						
Power consumption max.	At 3.6 V: ≤ 950 mW At 14 V: ≤ 1050 mW						
Current consumption typ.	At 5 V: 100 mA (without load)						
Vibration 55 Hz to 2000 Hz Shock 6 ms	≤ 500 m/s ² (EN 60 068-2-6) ≤ 1000 m/s ² (EN 60 068-2-27)						
Temperature	Operating temperature: -10 °C to 70 °C, storage temperature: -20 °C to 70 °C						
Mass	Scanning head: ≤ 18 g (without cable), connecting cable: 20 g/m, connector: M12-connector: 15 g; D-sub connector: 28 g						
Protection EN 60529	Scanning head AK: IP40 (complete encoder in mounted condition: IP00)						
RoHS-conformity	MCS 15 encoders comply with the guideline of the RoHS-directive 2011/65/EU and also with the delegated directive 2015/863/EU on the restriction of the use of certain hazardous substances in electrical and electronic equipment.						

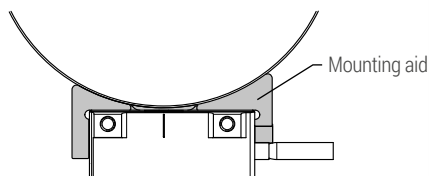
* Only with RSF extension cable.

GRADUATION CARRIER

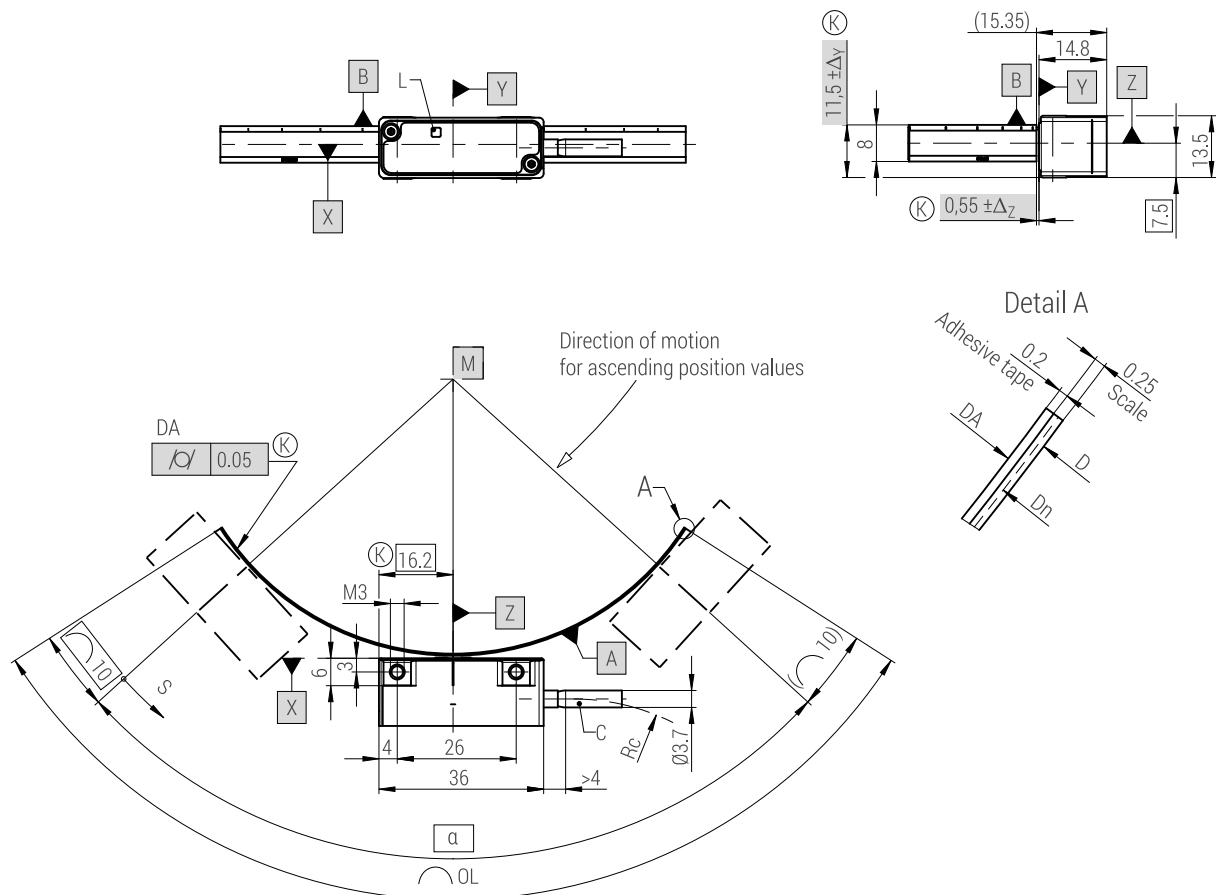
Model	MB MCS 15: Steel tape scale with adhesive tape and absolute track (SK)
Coefficient of expansion	$\alpha \approx 10 \times 10^{-6} K^{-1}$
Possible scanning diameter	> 75 mm to ≤ 1500 mm (at larger diameters MC 15 applicable) ≤ 75 mm on request
Accuracy of the grating (based on neutral axis)	±15 µm/m
Mass	20 g/m

OPTIONAL ACCESSORIES

Mounting aid:



MCS 15 DIMENSIONS, MOUNTING TOLERANCES



M = Rotary axis
 OL = Length of tape
 α = Measuring range [°]
 D = Scanning diameter
 DA = Mating diameter
 Dn = Neutral axis
 (K) = Required mating dimensions

S = Code start value not defined
 C = Cable
 L = LED function display
 Rc = Bending radius: stat. Rc ≥ 8 mm, dyn. Rc ≥ 40 mm

Permissible position deviation of the scanning head to the scale tape A | B

Δ_Y = Displacement, ±0.5

Δ_Z = Gap tolerance

= ±0.1 ... D ≤ 100

= ±0.2 ... D > 100

φ_Z = ±20 mrad or ±1.15° (yaw angle)

φ_Y = ±5 mrad or ±0.29° (pitch angle)

φ_X = ±7 mrad or ±0.40° (roll angle)

Scale:

Arbitrary position of absolute coding

Zero position set by customer

Calculations:

$D = DA + 0.9$

Overall length

$OL = 20 + (D - 0.25) \times \pi \times \alpha / 360^\circ$ (round up result to integer)

mm



Tolerancing ISO 8015

ISO 2768 - m H

< 6 mm: ±0,2 mm

ACCESSORY: EXTERNAL TESTING DEVICE PWT 101

The PWT 101 is a testing device for checking the function of absolute RSF Elektronik encoders. Thanks to its compact dimensions and robust design, the PWT 101 is ideal for mobile use. A 4.3-inch touchscreen provides for display and operation.

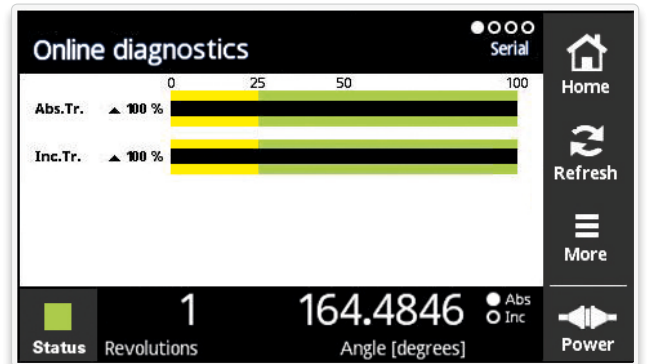
For example, for encoders with EnDat interface you can not only display the position value but also export the online diagnosis, shift datums, and perform further inspection functions.

AVAILABLE FUNCTIONS

The performance range of the PWT 101 can be expanded by firmware update. Appropriate firmware files that can be imported to the PWT 101 through a memory card (not included in delivery) will be made available at www.heidenhain.de.



Feature content of the PWT 101	EnDat 2.2	BiSS/Cu	Fanuc05	Mitsubishi03-2, 03-4	Panasonic02	YEC07
Position display Display of the absolute position Display and resetting of error messages Display and resetting of warnings Display of transmission status	✓	✓	✓	✓	✓	✓
Diagnostics Display of online diagnostics Display of supply voltage and supply current	✓	✓	✓	✓	✓	✓
Additional functions (if supported by the encoder) Datum shift („electrical zeroing of position“)	✓	-	-	-	-	✓
Memory contents Display of encoder information	✓	✓	✓	✓	✓	✓



Display at MCR 15

STATUS DISPLAY VIA LED FUNCTION

LED function at the scanning head	EnDat 2.2	BiSS/Cu	Fanuc05	Mitsubishi 03-4, 03-2	Panasonic02	YEC 07	Note
GREEN Very good	✓	✓	✓	✓	✓	✓	
YELLOW Warning	✓	✓	-	-	✓	-	Check mounting, clean encoder
RED Alarm	✓	✓	✓	✓	✓	✓	Check mounting, clean encoder

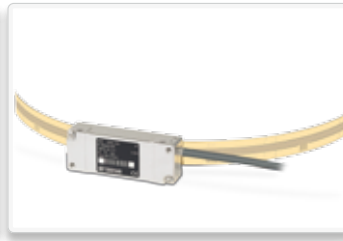
FURTHER PRODUCTS



MSR 15 | MSS 15

Incremental modular angle encoders with small dimensions

- Quality of the scanning signals is directly visible at the scanning head via a tricolored LED function
- Easy mounting as a result of large mounting tolerances
- High insensitivity against contaminations
- Possible drum diameter: 50.00 mm to 350.23 mm (outside)
- Steel tape scale from \varnothing 75 mm



MSR 20

Modular angle encoders with steel tape scale

- Segment version
- Grating period: 40 μ m
- Accuracy of the grating (stretched): $\pm 15 \mu$ m/m
- High permissible circumferential speed
- Integrated subdividing: up to times 100
- Possible diameter: Steel tape scale from \varnothing 50 mm



MSR 45

Modular angle encoders with steel tape scale - various versions

- Full-circle or segment version
- Grating period: 200 μ m
- Accuracy of the grating (stretched): $\pm 30 \mu$ m/m
- High permissible rotational speed resp. circumferential speed
- Integrated subdividing: up to times 100
- Possible diameter: Full-circle from 146.99 mm Segment from 150 mm



MC 15

Absolute linear encoders with status display

- Interface: EnDat 2.2 (others on request)
- Status display directly at the scanning head via LED function
- Easy mounting as a result of large mounting tolerances
- High insensitivity against contaminations
- Max. measuring length Steel tape scale: 10 000 mm



MS 15

Exposed scanning linear encoders with integrated mounting control

- Easy mounting; no test box or oscilloscope needed
- Quality of the scanning signals is directly visible at the scanning head via a tricolored LED function
- Two independent switch tracks for individual special functions
- Position of reference mark selectable by customer
- High insensitivity against contamination
- High permissible traversing speed
- Integrated subdividing: up to times 200
- Max. measuring length: Glass scale: 3140 mm Steel tape scale: 20 000 mm



MS 25

Exposed scanning linear encoders with integrated mounting control

- Easy mounting; no test box or oscilloscope needed
- Quality of the scanning signals is directly visible at the scanning head via a tricolored LED function
- Two independent switch tracks for individual special functions
- Position of reference mark selectable by customer
- High insensitivity against contamination
- High permissible traversing speed
- Integrated subdividing: up to times 200
- Max. measuring length Glass scale: 3140 mm Steel tape scale: 20 000 mm



MS 45

Exposed scanning linear encoders with integrated mounting control

- Easy mounting; no test box or oscilloscope needed
- Quality of the scanning signals is directly visible at the scanning head via a tricolored LED function
- Flat dimensions
- Easy mounting due to large mounting tolerances
- High insensitivity against contamination
- High permissible traversing speed
- Integrated subdividing: up to times 100
- Max. measuring length: Steel tape scale: 30 000 mm

DISTRIBUTION CONTACTS

AUSTRIA <i>Corporate Head Quarters</i>	RSF Elektronik Ges.m.b.H.	A-5121 Tarsdorf 93	☎ +43 62 78 81 92-0 FAX +43 62 78 81 92-79	e-mail: info@rsf.at internet: www.rsf.at
BELGIUM	HEIDENHAIN NV/SA	Pamelse Klei 47 1760 Roosdaal	☎ +32 (54) 34 3158 FAX +32 (54) 34 3173	e-mail: sales@heidenhain.be internet: www.heidenhain.be
FRANCE	HEIDENHAIN FRANCE sarl	2 Avenue de la Christallerie 92310 Sèvres	☎ +33 1 41 14 30 00 FAX +33 1 41 14 30 30	e-mail: info@heidenhain.fr internet: www.heidenhain.fr
GREAT BRITAIN	HEIDENHAIN (GB) Ltd.	200 London Road Burgess Hill West Sussex RH15 9RD	☎ +44 1444 247711 FAX +44 1444 870024	e-mail: sales@heidenhain.co.uk internet: www.heidenhain.co.uk
ITALY	HEIDENHAIN ITALIANA S.r.l.	Via Asiago, 14 20128 Milan	☎ +39 02 27075-1 FAX +39 02 27075-210	e-mail: info@heidenhain.it internet: www.heidenhain.it
NETHERLANDS	HEIDENHAIN NEDERLAND B.V.	Copernicuslaan 34 6716 BM EDE	☎ +31 318-581800 FAX +31 318-581870	e-mail: verkoop@heidenhain.nl internet: www.heidenhain.nl
SPAIN	FARRESA ELECTRONICA S.A	Les Corts 36-38 08028 Barcelona	☎ +34 93 4 092 491 FAX +34 93 3 395 117	e-mail: farresa@farresa.es internet: www.farresa.es
SWEDEN	HEIDENHAIN Scandinavia AB	Storsåtragränd 5 SE-12739 Skärholmen	☎ +46 8 531 933 50 FAX +46 8 531 933 77	e-mail: sales@heidenhain.se internet: www.heidenhain.se
SWITZERLAND	HEIDENHAIN (SCHWEIZ) AG	Vieristrasse 14 8603 Schwerzenbach	☎ +41 44 806 27 27 FAX +41 44 806 27 28	e-mail: verkauf@heidenhain.ch internet: www.heidenhain.ch
CHINA	DR. JOHANNES HEIDENHAIN (CHINA) Co., Ltd	Tian Wei San Jie, Area A, Beijing Tianzhu Airport Industrial Zone Shunyi District, Beijing 101312	☎ +86 10 80 42-0000	e-mail: sales@heidenhain.com.cn internet: www.heidenhain.com.cn
ISRAEL	MEDITAL Hi-Tech	7 Leshem Str. 47170 Petach Tikva	☎ +972 0 3 923 33 23 FAX +972 0 3 923 16 66	e-mail: avi@medital.co.il internet: www.medital.co.il
JAPAN	HEIDENHAIN K.K.	Hulic Kojimachi Bldg., 9F 3-2 Kojimachi, Chiyoda-ku Tokyo, 102-0083	☎ +81 3 3234 7781 FAX +81 3 3262 2539	e-mail: sales@heidenhain.co.jp internet: www.heidenhain.co.jp
KOREA	HEIDENHAIN LTD.	75, Jeonpa-ro 24beon-gil, Manan-gu, Anyang-si 14087 Gyeonggi-do	☎ +82 31 380 5200 FAX +82 31 380 5250	e-mail: info@heidenhain.co.kr internet: www.rsfc.co.kr
RUSSIA	OOO «HEIDENHAIN»	ul. Goncharnaya, d. 21 115172 Moscow	☎ +7 (495) 777 34 66 FAX +7 (499) 702 33 31	e-mail: info@heidenhain.ru internet: www.heidenhain.ru
SINGAPORE	HEIDENHAIN PACIFIC PTE LTD.	51, Ubi Crescent 408593 Singapore	☎ +65 67 49 32 38 FAX +65 67 49 39 22	e-mail: info@heidenhain.com.sg internet: www.heidenhain.com.sg
TAIWAN	HEIDENHAIN CO., LTD.	No. 29, 33rd Road; Taichung Industrial Park Taichung 40768	☎ +886 4 2358 89 77 FAX +886 4 2358 89 78	e-mail: info@heidenhain.tw internet: www.heidenhain.com.tw
USA	HEIDENHAIN CORPORATION	333 East State Parkway Schaumburg, IL 60173-5337	☎ +1 847 490 11 91	e-mail: info@heidenhain.com internet: www.rsfc.net

Date 03/2020 ■ Art.No. 1277002-01 ■ Doc.No. D1277002-01-A-01 ■ Technical adjustments in reserve!



RSF Elektronik

Ges.m.b.H.

Linear and Angle Encoders
Precision Graduations

Certified acc. to
ISO 9001
ISO 14001

