

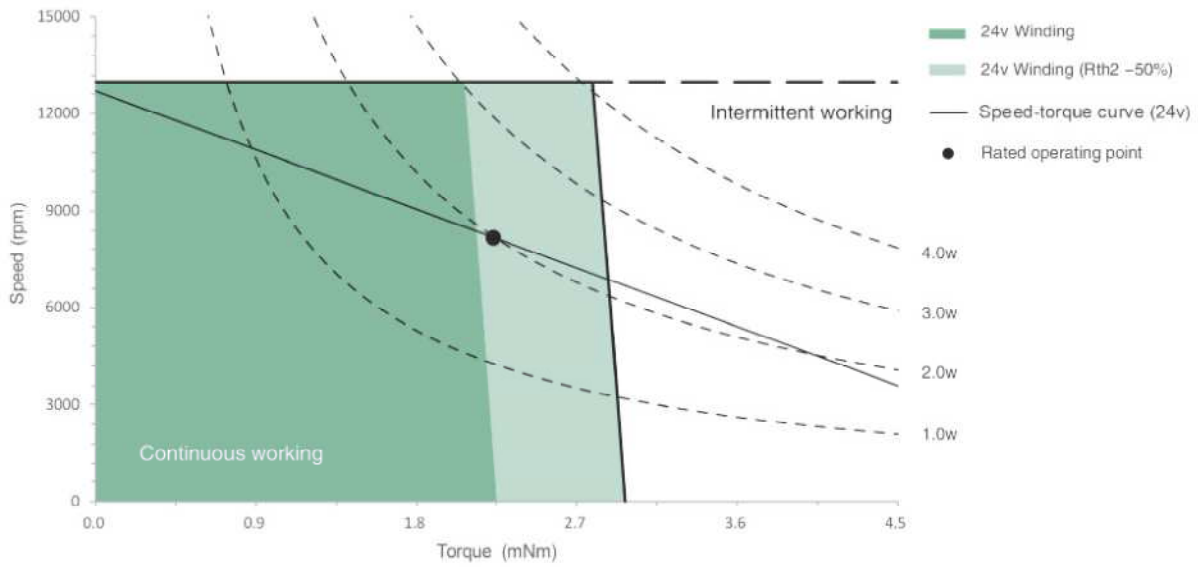
TCU16025 Ø16mm Precious Metal Brushes 2/3W

Motor Data		Part Numbers		
		TCU16025P06	TCU16025P12	TCU16025P24
Nominal voltage	V	6	12	24
No load speed	rpm	10800	10600	12700
No load current	mA	22.3	7.7	6.8
Nominal speed	rpm	5490	5680	8180
Max. continuous torque	mNm	1.87	2.11	2.23
Max. continuous current	A	0.384	0.206	0.133
Stall torque	mNm	3.90	4.63	6.39
Stall current	A	0.76	0.44	0.36
Max efficiency	%	69	75	74
Terminal Resistance	Ohm	7.9	27.5	66.4
Terminal Inductance	mH	0.027	0.144	0.419
Torque constant	mNm / A	5.16	10.61	17.68
Speed constant	rpm / V	1850	900	540
Speed/torque gradient	rpm / mNm	2846	2333	2028
Mechanical time constant	ms	6.65	6.06	5.71
Rotor inertia	gcm ²	0.223	0.248	0.269

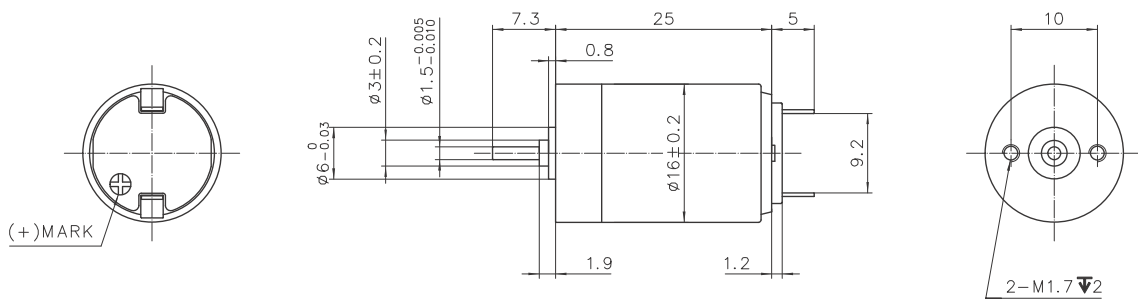
Specification		
Bearing	Sleeve bearing	
Max speed	rpm	13000
Axial play	mm	≤0.3
Number of commutator segments	5	
Ambient temperature	° C	-20~+65
Max winding temperature	° C	100
Thermal resistance		
Housing - Ambient	° C/ W	40.6
Winding - Housing	° C/ W	10.5
Thermal time constant		
Motor	s	281
Winding	s	4.26
Number of pole pairs	1	
Weight	g	24.3

Combination		
Gearbox		
PG16C		
Ø16mm	0.5 Nm	19:1-850:1
Page 44		
Encoder		
R16		
Ø16mm	512 Lines	3 Channels
Page 49		
K16		
Ø16mm	200 Lines	2 Channels
Page 50		
Option		
Precious Metal Brushes / Graphite Brushes		
Sleeve Bearing / Ball Bearing		

Operating Range



Dimension



TCU16025Pxx-S001